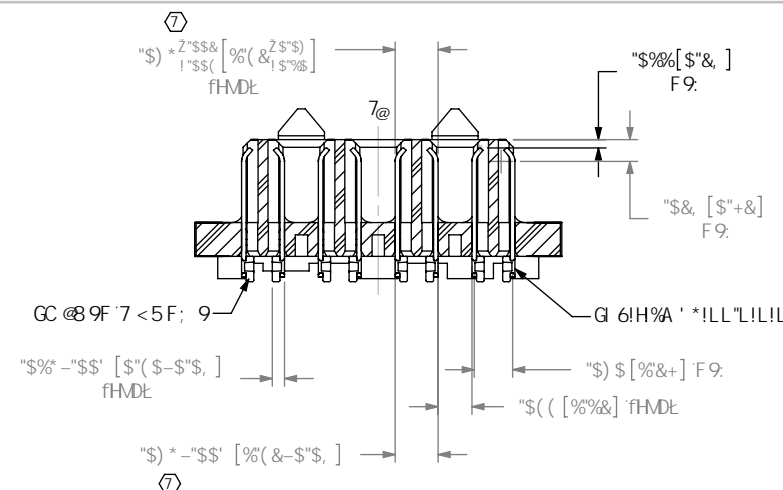
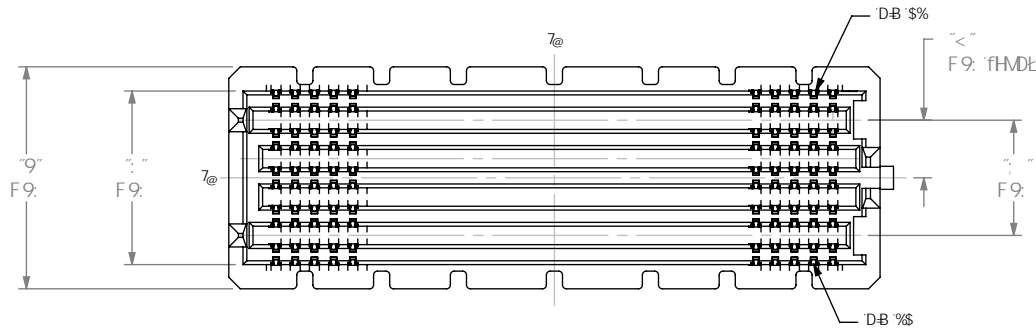
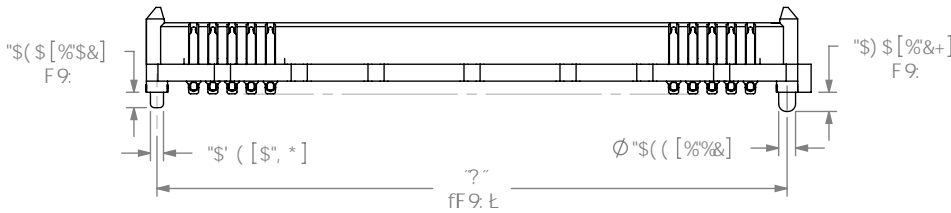


⊕ " &
 !%\$.%\$FC K
 fG5A 95G: ⊕ "%9L7 9DH5G<C K B⊥
 fG95A !' \$!\$&\$!LL!%\$!%G<C K B⊥
 fGC A 97 9BHF: 95H F9GBC HG<C K B: CF 7 @5F #M⊥

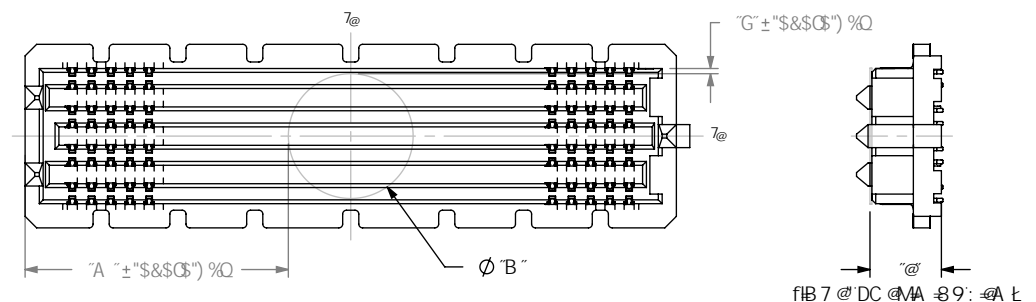


G97 HC B "5 1 5"
 G75 @ (: %

⊕ " " "
 15. 5 @ BA 9BHD B GC DHC B
 5DD @9HC 5 @15 C DHC B D5FHB 1 A 69FG
 fG5A 95G: ⊕ "%9L7 9DH5G<C K B⊥
 fG95A !' \$!\$&\$!LL!\$ 1%5 G<C K B⊥
 fGC A 97 C BH57 HGBC HG<C K B: CF 7 @5F #M⊥



⊕ " ("
 !?. ?5 DHC B D58 C DHC B
 fG95A !' \$!\$&\$!LL!\$, 1%? G<C K B⊥
 fG5A 95G: ⊕ "%9L7 9DH5G<C K B⊥
 fB @7 C BH57 HGBC HG<C K B: CF 7 @5F #M⊥



A "1 ff15 fG99 H5 6 @9" H B L # & L Z "\$ & \$

TABLE 11

| No. OF ROWS | "T" |
|-------------|-------------|
| -04 | .079 [2.01] |
| -05 | .120 [3.05] |
| -06 | .120 [3.05] |
| -08 | .120 [3.05] |
| -10 | .120 [3.05] |

TABLE 5

| No. OF POS | "K" |
|------------|---------------|
| ***-10 | .641 [16.28] |
| ****-15 | .891 [22.63] |
| -20 | 1.141 [29.98] |
| *****-25 | 1.391 [35.33] |
| -30 | 1.641 [41.68] |
| -40 | 2.141 [54.38] |
| -50 | 2.641 [67.08] |

"1 1 BC HHC C @98
 H 1 BC HF 9 @95 G98 : C F DFC 81 7 HC B

TABLE 6

| LEAD STYLE | "L" |
|------------|--------------|
| -02.0 | .186 [4.72] |
| -03.0 | .225 [5.72] |
| -03.5 | .245 [6.22] |
| **06.5 | .365 [9.27] |
| -07.0 | .382 [9.70] |
| -09.0 | .461 [11.71] |
| -11.0 | .540 [13.72] |
| *-13.0 | .619 [15.72] |

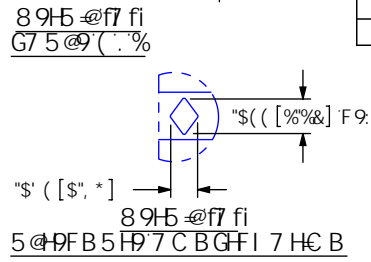
TABLE 8

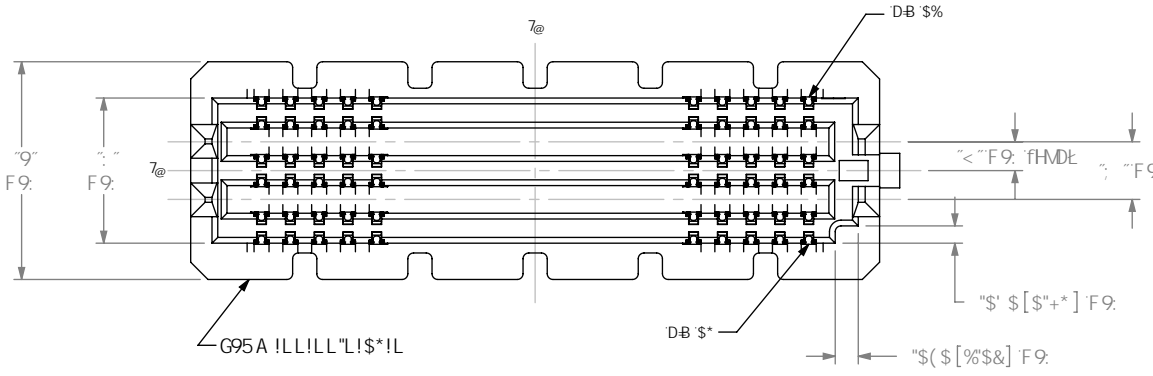
| No. OF ROWS | Ø "N" | "S" |
|-------------|--------------|-------------|
| -04 | .138 [3.50] | .007 [0.18] |
| -05, -06 | .236 [6.00] | .008 [0.20] |
| -08 | .325 [8.25] | .014 [0.34] |
| -10 | .404 [10.25] | .024 [0.61] |

DFC DF 9H5 FMBC H9
 H: 6BC 71A 98H7 C B15 BG B: CFA 5HC B
 7 C B: 898 H5 9588 DFC DF 945 F1MC
 GSA H97 2 87 588 G: 588 BC H69 F90FC 81 7 98
 C F H58G 9F98 HC C H: 9F 8C 71A 98HC F
 8 47 @ 98H C H: 9F GCF 1 98: C F 58M
 DI FDC 99 C H: 9F H: 5B H: 5HK < 7 < H K 5G
 C 615 B 98 K H: C1 H: 9 L DF 9098 K F #H8
 7 C B 98HC: GSA H97 2 87 "

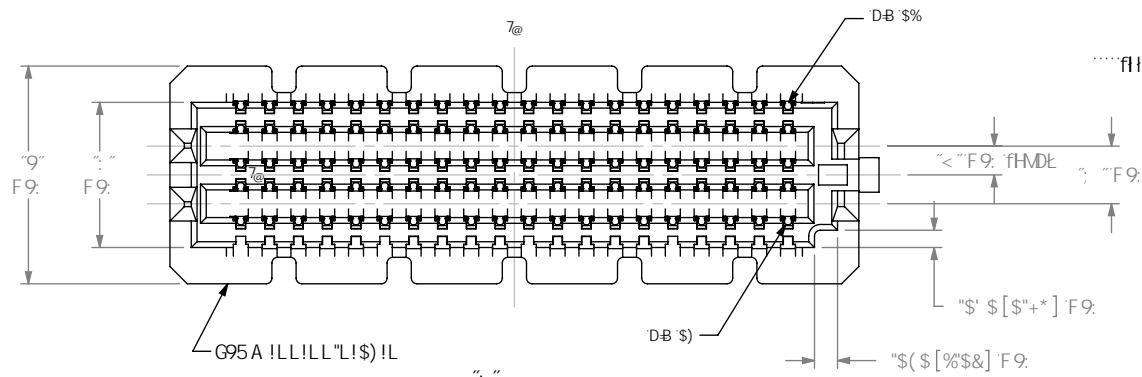
8C BCH G7 5 @9 8F5 K B:
 G: 99HG7 5 @9 5% & %

89G7 F DHC B.
 "\$) \$ D+7 < HF A B 5 @5 FF 5 M5 G9A 6 @M
 8K: "BC"
G95A !LL!LL "L!LL!LL!LL!LL
 6M 6F5H7 < 9F \$* # \$ & # \$ \$ (G< 99H & C: +

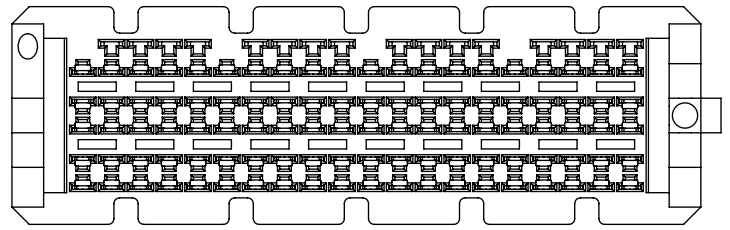
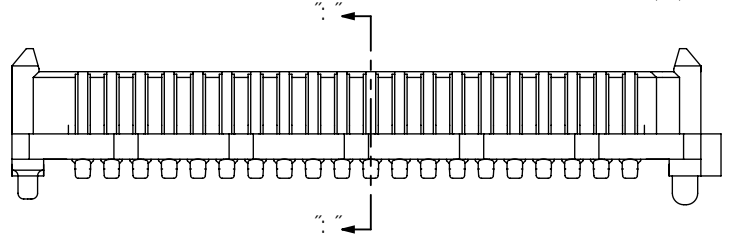
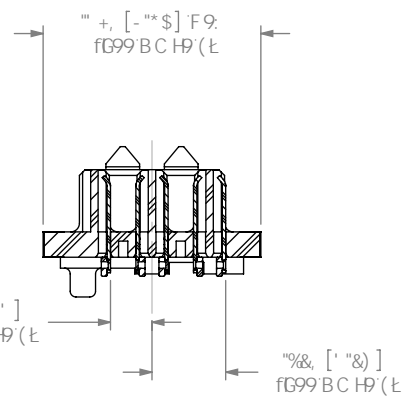




: ± " " *
 ! \$ * * F C K G
 fG5A 95G: ± " % 9L 7 9DH5GG<CK BŁ
 fG95A !&\$!\$&!LL!\$*!L!5'G<CK BŁ
 f! ! \$ + \$Z! ! \$ - \$Z! ! % \$Z / ! ! % " @ 95 8 G M 9 G ! & \$ Z ! ' \$ Z ! (\$ Z / !) \$ DC G H C B Ł
 fG C A 9 7 9 B H F : 9 5 H F 9 G B C H G < C K B : C F 7 @ F # M



: ± " " +
 ! \$.) F C K G
 fG5A 95G: ± " % 9L 7 9DH5GG<CK BŁ
 fG95A !&\$!\$&!LL!\$!)!L!5'G<CK BŁ
 f! ! \$ + \$Z! ! \$ - \$Z! ! % \$Z / ! ! % " @ 95 8 G M 9 G ! & \$ Z ! ' \$ Z ! (\$ Z / !) \$ DC G H C B Ł
 fG 9 9 B C H 9 (Ł



G97 HC B ' : ' ! : "

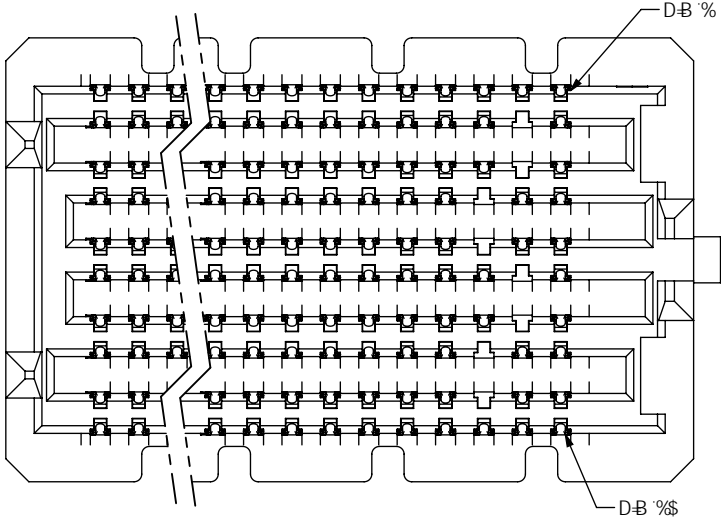
DFC DF 9 5 F M B C H 9
 H: GBC 71A 98H7 C B16 BG B: CFA 5HC B
 7 C B: 898H5 95B8 DFC DF 945 F M C
 GSA H97 2 87 5B8 G-5 98BC H69 F90FC 81 7 98
 C F H F 5 B G 9 F 9 8 H C C H: 9 F 8 C 7 1 A 9 8 H C F
 8 4 7 @ 9 8 H C C H: 9 F G C F 1 9 8 : C F 5 B M
 D I F D C 9 9 C H: 9 F H: 5 B H: 5 H K < 7 < # H 5 G
 C 6 1 5 B 9 8 K # C 1 H H: 9 9 L D F 9 0 9 8 K F # 6 8
 7 C B 9 8 H C : G S A H 9 7 2 8 7 *

samtec

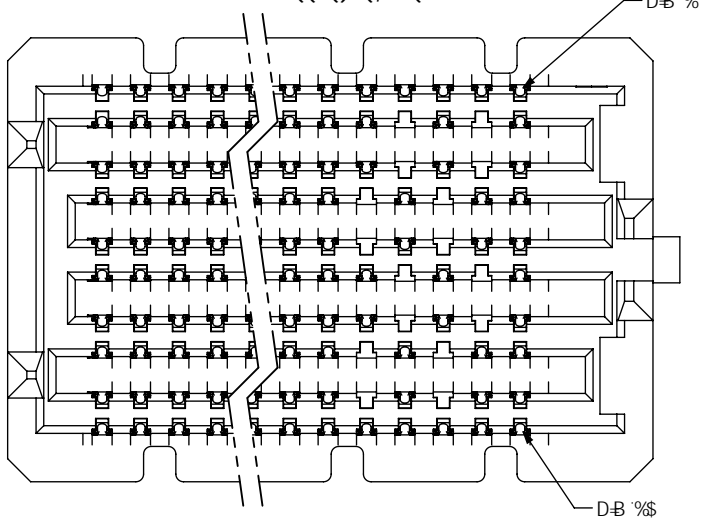
) & \$ D5 F? 95 GH6 @ 8 Z B 9 K 5 @ 5 B M B (+) \$
 D < C B 9 ; % & L - ((! * + , - : ; < = > ? @ A B C D E F G H I J K L M N O P Q R S T U V W X Y Z) & *
 Y I A U J : ; & 4 G S A H 9 7 W c a W X Y .) & *

8967 F 0 H C B.
 "\$) \$ D # 7 < H 9 F A B 5 @ 5 F F 5 M 5 G 9 A 6 @ M
 8K : " " B C "
G95A !LL!LL"L!LL!LL!LL!LL
 6M 6F5H7 < 9F \$* # \$ & # \$ \$ (G < 99H (" C : +

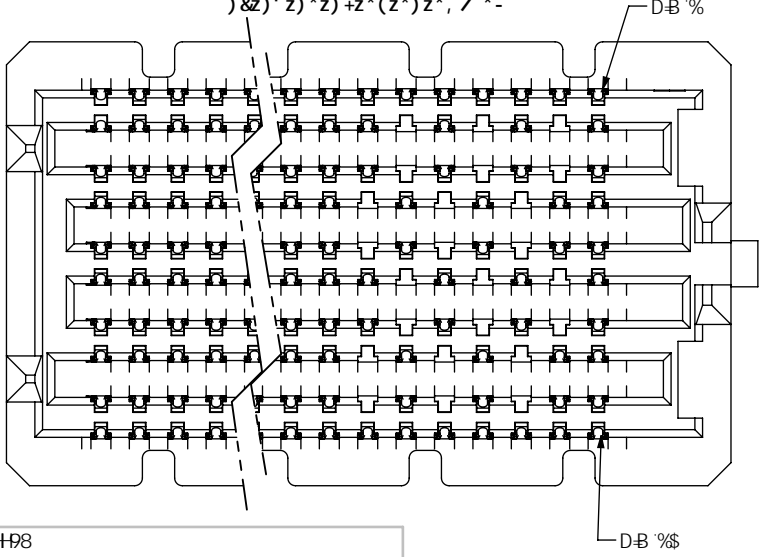
: ÷ " " %
 !%\$. %\$ FCK
 fG95A !' \$!\$&' \$!LL!%\$!&!\$('G<CK BŁ
 DBGCA #H98 %&Z% Z%Z%Z%Z&(Z&) Z&, /' &-



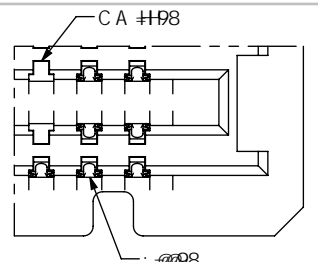
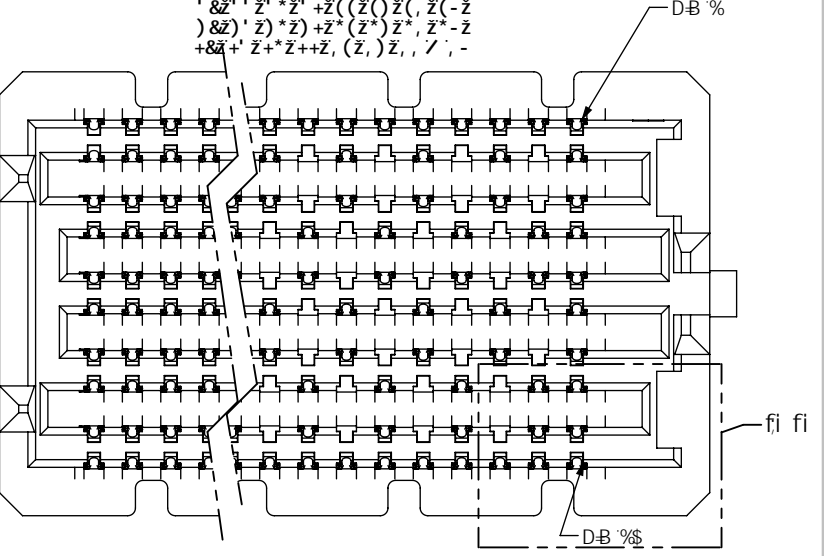
: ÷ " " %
 !%\$. %\$ FCK
 fG95A !' \$!\$&' \$!LL!%\$!&!\$('G<CK BŁ
 DBGCA #H98 %&Z% Z%Z%Z%Z&(Z&) Z&, /' &-
 ' &Z' ' Z' * Z' + Z((Z)Z(, /' (-



: ÷ " " %
 !%\$. %\$ FCK
 fG95A !' \$!\$&' \$!LL!%\$!&!\$('G<CK BŁ
 DBGCA #H98 %&Z% Z%Z%Z%Z&(Z&) Z&, /' &-
 ' &Z' ' Z' * Z' + Z((Z)Z(, Z(-
)&Z' ' Z) * Z) + Z*(Z*)Z*, /' * -



: ÷ " " %
 !%\$. %\$ FCK
 fG95A !' \$!\$&' \$!LL!%\$!&!\$('G<CK BŁ
 DBGCA #H98 %&Z% Z%Z%Z%Z&(Z&) Z&, /' &-
 ' &Z' ' Z' * Z' + Z((Z)Z(, Z(-Z
)&Z' ' Z) * Z) + Z*(Z*)Z*, Z*-Z
 +&Z+ ' Z+*Z++Z, (Z,) Z, /' -



8915 @fi fi
 G75 @9) . %

DFC DF 915 FMBC H9
 H: GBC 71A 98H7 C B15 BG B: CFA 5HC B
 7CB: 8915 9588 DFC DF 945 F1MC
 GSA H97 2 87 *588 G: 588BC H69 F90FC 81 798
 CF HF58G 9F98 HC CH: 9F 8C 71A 98H6CF
 8 47 @C 98H HC CH: 9FGCF I 98H: CF 58M
 DI DFC 99 CH: 9F H: 5B H: 5HK < 7 < H: 5G
 C 615 B 98 K H: C I H: 9 9L DF 9098 K F #H8
 7CB 98HC: GSA H97 2 87 *

8C 'BCH G7 5 @9 8F5K B:
 G: 99HG7 5 @9 (. %



)&\$ D5F? 95GH6@ 8ZB9K 5 @5BM B (+) \$
 D<C B 9 ; %&L - ((! * + SL ; %&L - () \$ (+
 YIA UJ ; jz 4 GSA H97 Wca WEXY.) ' &&
 89G7 F @HC B:
 "\$) \$ D#7 < 'H9FA B5 @5FF5M5 G99A 6 @M
 8K : " " BC "
G95A !LL!LL "L!LL!LL!LL!
 6M 6F5H7 < 9F \$* # \$ & # \$ \$ (G< 99H * * C : +

